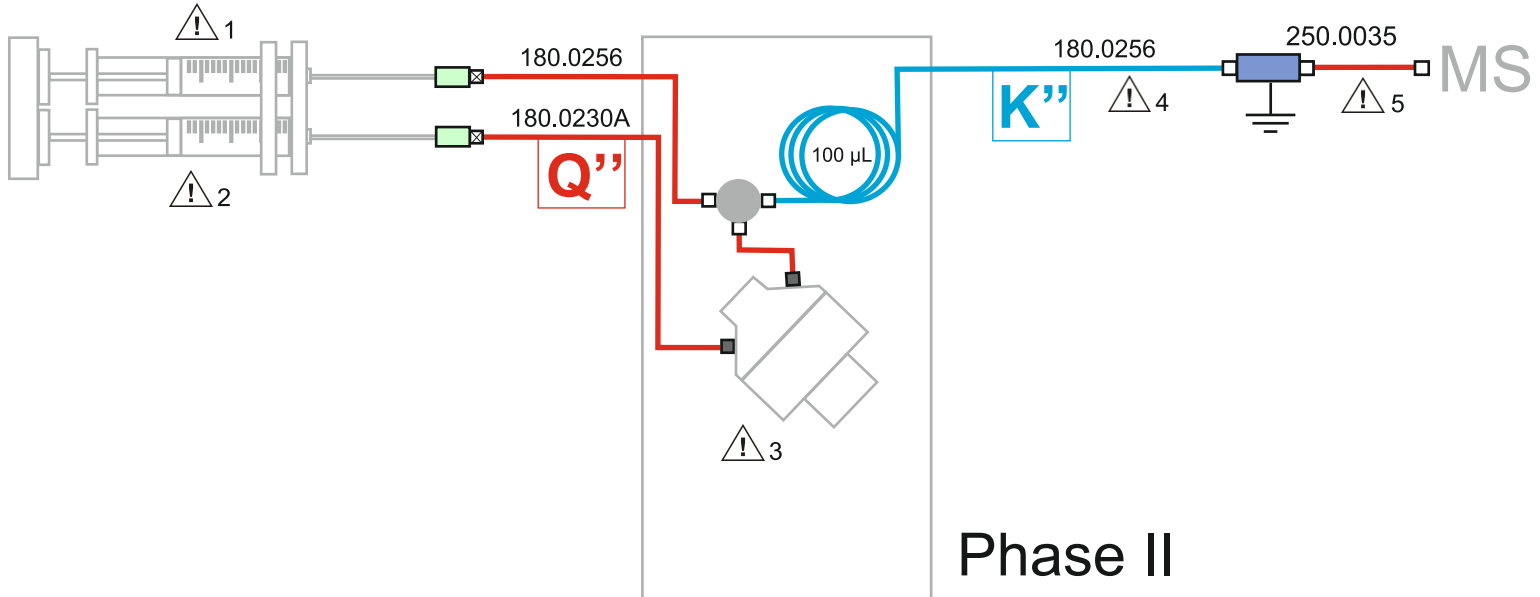
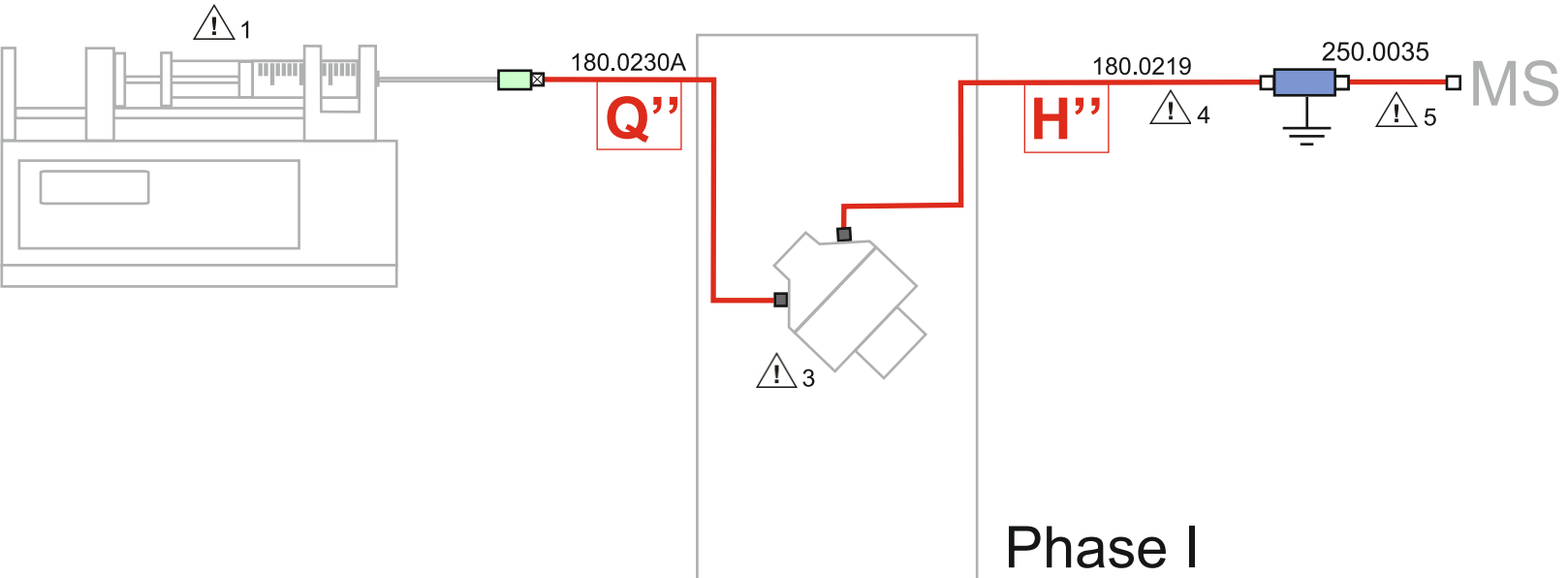


On the backside important installation information is provided for the parts marked with a caution sign.

LC connections

- 250.1550 Ferrule Tefzel, 1/8", flangeless
250.1552 Nut PEEK, 1/8", flangeless, 1/4-28
- 250.1566 Ferrule CTFE, 1/8", collapsible
250.1568 Nut PEEK, 1/8", hex, 5/16-24
- 250.1554 Ferrule SS, 1/16", SSI
250.1556 Nut SS, 1/16", SSI, 10-32
- 250.1558 Ferrule SS, 1/16", Valco
250.1560 Nut SS, 1/16", Valco, 10-32
- 250.1584 Ferrule ETFE, 1/16", flangeless
250.1586 Nut PEEK, 1/16", flangeless, 1/4-28
- 250.1572 Fingertight fitting PEEK, hex, 10-32
- 250.1570 Fingertight fitting, PEEK, 10-32
- 250.1575 Fingertight VT-03, M5
- 250.1571 Fingertight PCTFE, 10-32
- 250.1588 Luer adapter PEEK, 1/4-28
- 713.0030 Bulkhead union, 1/16", SS, 0.25mm





IMPORTANT INSTALLATION INFORMATION

Read the relevant sections of the LC connection kit installation guide (p/n 180.7001W), before installation of the LC connection kit. This kit provides all tubing assemblies for phase I and phase II configuration of the ROXY EC system. Optimization of tubing lengths, flow cell position or mixing coil volume may be necessary for your particular application.

1. The infusion pump (p/n 188.0035) delivered with the system should be placed on top of the ROXY potentiostat with the syringe outlet directed to the front side (for the sake of clarity the infusion pump is drawn left to the ROXY potentiostat in the installation drawing).
2. For the sake of clarity a top-view of the infusion pump is drawn in case of the phase II configuration.
3. A 1 meter long cell cable (p/n 250.0125) is delivered with the system in case the ReactorCell needs to be positioned close to the Electrospray source.
4. Optimize the length of the outlet assembly (p/n 180.0218A) or the mixing coil (p/n 180.0256) for your application/conditions using a tubing cutter.
5. The grounding kit (p/n 250.0035) is necessary to decouple the μ -PrepCell from the high voltage of ESI source of an mass spectrometer and to protect the LC system/parts connected to the MS from exposure to high voltage. Please assure that the μ -PrepCell is connected to your MS via grounded fitting.

Legend LC tubing

- FEP 1/8", 1.59 mm ID, transparent
- PEEK 1/16", 0.50 mm ID, orange-striped
- PEEK 1/16", 0.25 mm ID, blue-striped
- PEEK 1/16", 0.13 mm ID, red-striped
- PEEK 1/16", 0.064 mm ID, pink-striped
- Silicone 3 mm, 1 mm ID, transparent
- Stainless Steel 1/16", 0.50 mm ID, metal